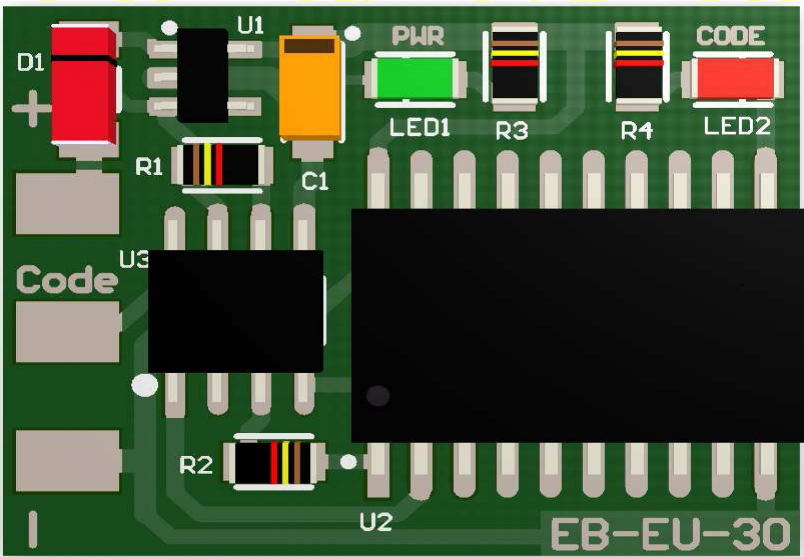




MEDBIOPLAST LTD

EMULATOR BMW



Thank you for purchasing our device.

Emulator immo to BMW cars replaces original immobilizer signal in case of losing the car keys, damage of the transmitter or immobilizer module.

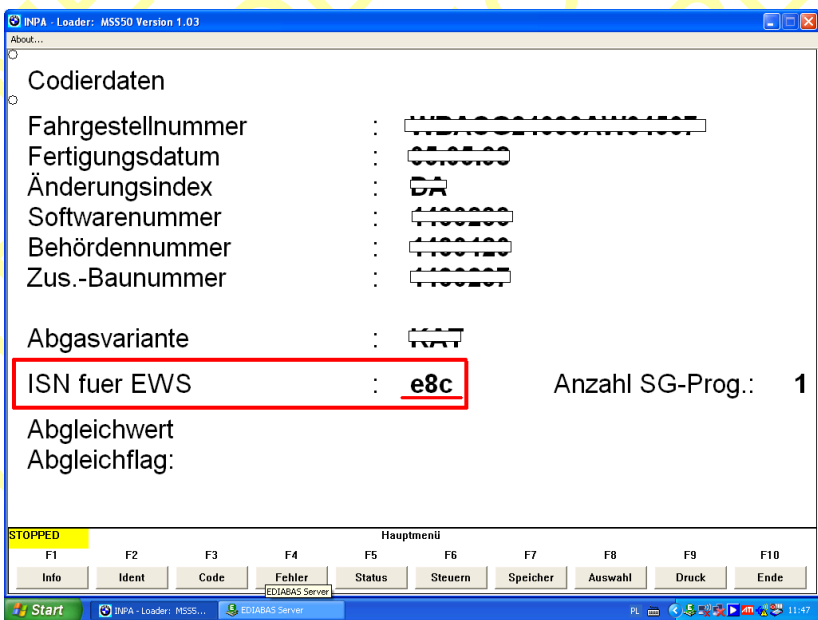
**It is mobile in cars with systems:
EWS II and EWS III 3.2**

car models:

- E36 to the end of production,**
- E34 to the end of production,**
- E38 up to 05.1997 year,**
- E39 up to 09.1997 year,**
- Z3 up to 1999 year.**

Each emulator is individually created to the car after customer send to our company EWS module or after reading the ISN code.

Green LED indicating about power – will light up permanently.

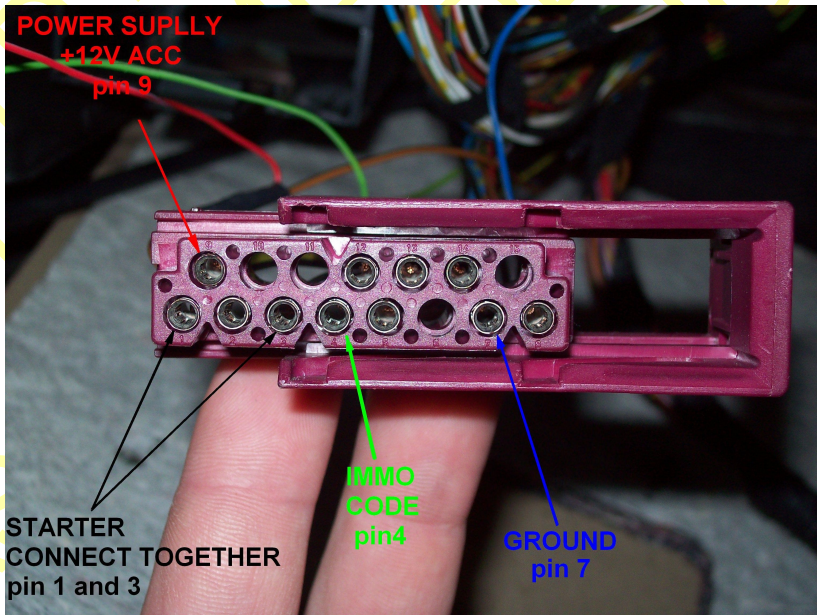


Read code ISN from Engine Control Module or EWS module by diagnosis tester INPA:

ISN CODE- e8c

Connecting emulator:

-to the plug of original immobilizer
behind passenger glove compartment:

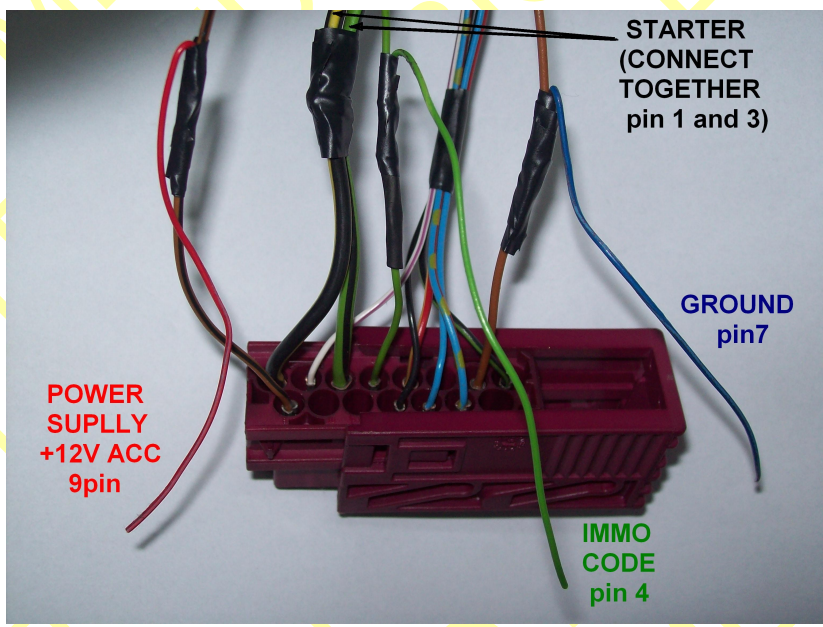


POWER SUPPLY – 9pin

IMMO LINE – 4pin

GROUND – 7pin

STARTER - connect together pin 1 and 3



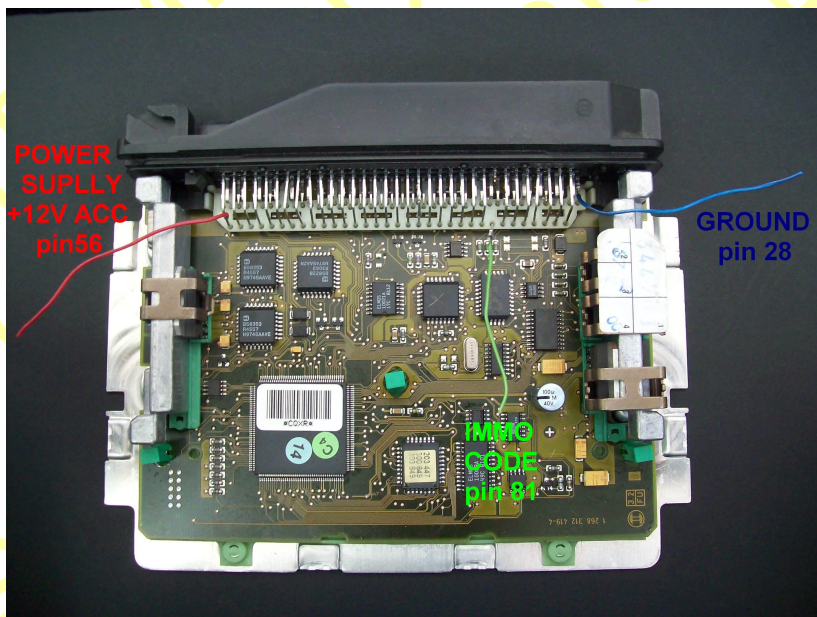
POWER SUPPLY – 9pin

IMMO LINE – 4pin

GROUND – 7pin

STARTER - connect together pin 1 and 3

**-inside of Engine Control Module
eg. 0 261 203 447 1,6 gasoline**



POWER SUPPLY +12V ACC – 58pin
IMMO LINE – 81pin
GROUND – 28pin

**Before switching the car, disconnect the
EWS, and connect the starter signal
pin 1 and 3!**